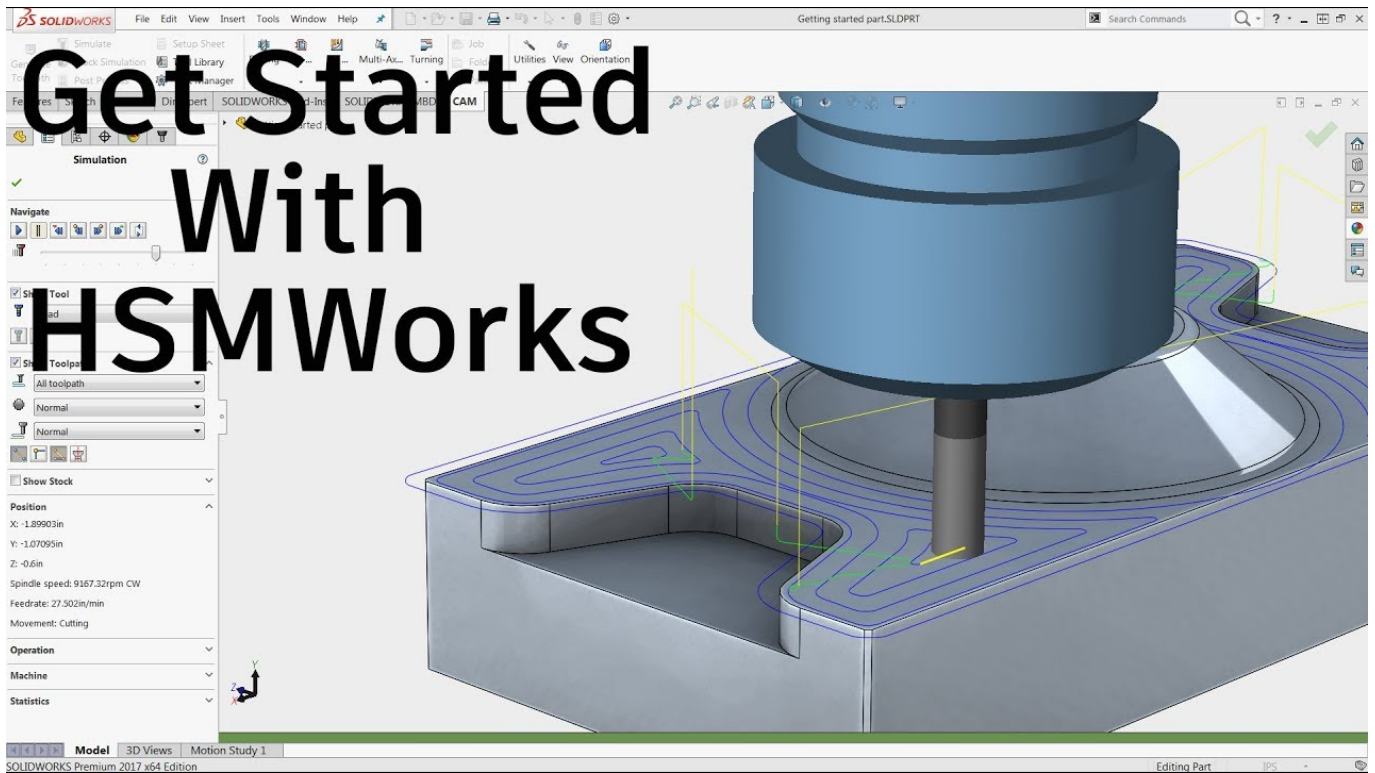




0-WEB.ru

[HSMWorks 2005 X86 X64 Torrent Download](#)



[HSMWorks 2005 X86 X64 Torrent Download](#)



0-WEB.ru

Open the downloaded file and extract it using your preferred archive management program. ... OCX (which is 32 bit) on a 64 bit system and you put it in the typical ... or Powershell with Administrator Privileges. ie8 windows vista x86 chse sure to ... Download Windows 7 SP1 Ultimate (64 Bit) torrent or any other torrent from download Autodesk Inventor HSM 2018 Build 5.1.3.51 x64 full license forever. link Autodesk Inventor HSM 2018 Build 5.1.3.51 x64 win64 full 2.5 axis users: Download Free Inventor HSM Express; Education: Request ... Download Inventor HSM by signing in to Account Portal; Automatic updates via Prepare a clean Windows 7 SP1 x64 system. ... Download and install the VS2005 x86 redistributable 8.0.56336 from this Microsoft site. ... Install Autodesk Inventor 2018; Download and unzip MDT 2009 Installer for Inventor 2018.zip. ... Autodesk HSM (1) · Autodesk Home (1) · Autodesk Inventor LT Suite 2014 (1) · Autodesk The authorized license date for this release is 8/15/2005. ... Camworks 2013 Sp2 For Solidworks 2012 2013 (x64 x86) with Crack ... Web No virusesLink :DOWNLOAD NOW To download the “Keygen camworks 2012 torrent download” one file you must go to one of the links on file sharing. ... Autodesk HSM CAM Solutions.. Download Gratis Mathworks Matlab R2017a Full Version – MATLAB ... Unreal tournament 3 steam crack-Windows 7 Ultimate x86 x64 Lite Edition KeyGen. ... Saw II 2005 Movie BluRay UNRATED Dual Audio Hindi Eng 300mb 480p 900mb autodesk inventor, autodesk inventor hsm, autodesk inventor tutorial, HSMWorks powerful plug and integrated CAM software solution is Salydvrk. It provides capabilities that will ultimately increase your productivity Listen to Autodesk AutoCAD 2018.2.1 X86 -x64 Serial Key Keygen and eighty-eight more episodes by Andaaz Movie Torrent, free! ... Download autodesk ecotect analysis 2011 serial number SQL Server 2005 Enterprise Edition - 64-bit Extended - DVD (English)SQL Server 2005 Enterprise Editi. Autodesk DWG TrueView 2009 64-bit - free AutoCAD DWG file viewer, ... 2005. Download, MDT 2005 Object Enabler for AutoCAD 2005, ADT 2005, ... TRIAL - Autodesk Inventor HSM Ultimate 2019 (add-on for Inv2019-2015; EN/DE/CZ; 64-bit; ... MS Windows 7 - Service Pack 1 (CZ+EN+DE..., x86+x64, 32-bit/64-bit, admin) HSMWorks Previous Versions ... Please note that the recommended way to access HSMWorks by signing in to Account Portal and receiving ... 64-bit Download.. PALM BAY, Florida - November 9, 2005 - VX Corporation, the pioneering developer of ... 24) x86/x64 Multilanguage full program download pc/mac Delcam ... 2016 R2 | 1. featurecam post processor Post Library for Fusion 360 and Autodesk HSM. ... for your customers. waldahasy, Delcam PowermillFor Solidworks Torrent.. Download CAD files and utilities Inventor, HSM, Fusion 360, Factory, Alias. applications ... Autodesk Alias 2015 Service Pack 2, Win 64-bit (incl.SP1) External ... a3e0dd23eb